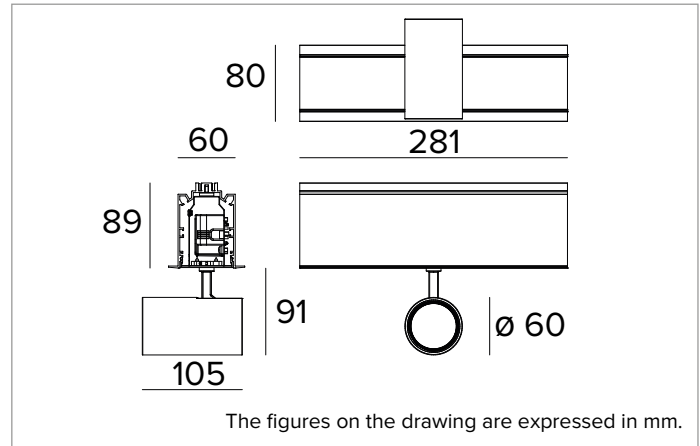


1T7258DA | LOGICO System - Recessed with flange - Projector module

Linear module with adjustable professional LED projectors for recessed installation system with a flange



		3000K	H(m)	D(m)	Emax(lx)	
		Ra90			31°	
		Fixture Power	15W	1	0.56	4469
		Source Flux	1817lm	2	1.12	1117
		Fixture Flux	1405lm	3	1.67	497
		Efficacy	92lm/W	4	2.23	279
TS813	I _{max} =2460cd/klm	I _{max}	4469cd	5	2.79	179



SOURCE

High efficiency Chip on Board LED Ra90.

Energy efficiency class: D

Nominal power: 1x14W

Nominal flux: 1817lm

Colour rendering index: 90

Rf: 92

Rg: 101

CCT nominal: 3000K

Lifetime (L80/B10): >50000h tq +25°C

ILLUMINOTECHNICAL CHARACTERISTICS

Convex faceted highly reflective anodised aluminium precision optics with an opaque black silicone cut off ring.

Beam angles: FL

Optical efficiency: 77%

Fixture flux: 1405lm

Luminous efficacy: 92lm/W

Photobiological safety: Compliant with RG1 low risk group

MECHANICAL CHARACTERISTICS

Painted extruded aluminium linear body. Projectors with a die-cast painted aluminium body. The optical unit can be adjusted from 0° a 90° on the vertical plane and 355° on the horizontal plane with the possibility to block the beam with a mechanical locking system on the horizontal plane and a friction locking system on the vertical plane.

Colour and finish: Plaster white

Dimensions: L=281mm

Weight: 1.9Kg

Version: 1xLABEL 6

Degree of protection: IP20

ELECTRICAL CHARACTERISTICS

Integrated DALI power supply. Complete with electrical cables to guarantee feeding continuity (max 2kW).

Fixture Power: 15W

Power supply: 220-240Vac 50/60Hz

Insulation Class: CLASS 1

Type of driver / Control: DALI - PUSH

Driver included: YES

Class F: YES

SAFE FLICKER: PstLM=<1 and SVM=<0.4 (IEC TR 61547-1 and IEC TR 63158), to ensure a more comfortable and safe light

Ambient temperature: 0°C / +25°C

INSTALLATION

For linear configurations complete with a special connector to attach to the power supply. To be completed with end caps.

NOTES

Casambi control system available using a dedicated accessory. Check mounting instructions to verify the quantity of DALI drivers installed. The arm is always supplied in the same colour as the body of the projector. 110-277Vac version available on request. Commissioning of the control system via free APP; the intervention of a specialist technician can be quoted on request.

WARRANTY

5 years.

WARNING

Luminaire designed for disposal/recycling at end-of-life. Replaceable (LED only) light source by a professional. Replaceable control gear by a professional.

Due to the technological evolution of the electronic components, the data provided may be updated, and as such, confirmation must be requested during the order process.

Luminous flux and power supply have +/-10% tolerances with respect to the indicated value. tq +25°C (CIE 121).

We reserve the right to make technical changes.

Targetti Sankey S.r.l.
Via Pratese, 164
50145 Firenze - Italy
Tel: +39 055 37911
targetti.com
targetti@targetti.com

CCIAA Firenze
Share Capital:
€ 500.000,00
VAT N. (IT):
01537660480
R.E.A: FI-275656

TARGETTI

1T7258DA | LOGICO System - Recessed with flange - Projector module

Linear module with adjustable professional LED projectors for recessed installation system with a flange

Related codes

End Caps



Code

1T5908

End caps for the recessed version with a flange.
White.
2x

Accessories

Electrical Connector



Code

1T5911

Linear electrical connector.
EL/DALI.

Control systems



Code

1T5349

IP20 wireless control unit with DALI interface.
It generates a local DALI2 bus, enabling a direct connection to a DALI interface LED driver.
The module can only be used in a closed system and cannot be connected to an existing DALI network.
The module is wireless controlled using a Casambi app for smartphones and tablets using Bluetooth 5.0 technology.
The devices automatically create an adaptive, robust, and reliable wireless mesh network, allowing for the easy and efficient management of a high number of fixtures.
The control unit is preset to the DALI 1CH profile, meaning the device can control a single DALI driver with broadcast commands.
In addition to the DALI broadcast, other operating modes are available, such as:

- Button (normally open)
- Control unit 0/1-10V
- Control unit DALI Tunable White DT8
- Presence sensor



Code

2T0131

IP20 Extender for wireless control of LED driver with dimming DALI (or 1-10V) interface based on Casambi technology.
It has a DALI2 output with the capacity to control up to 40 lighting fixtures.
With the addition of a further external BUS DALI power supply it is possible to control up to 64 fixtures.
IP20 Extender is preset to the DALI broadcast profile, meaning all the luminaires connected to it are dimmable at the same level.
In addition to the DALI broadcast other operating modes are available, such as:

- EXTENDER DALI 8CH
- EXTENDER DALI Tunable White
- EXTENDER 0/1-10V
- EXTENDER DALI 4CH
- EXTENDER DALI DT8 Tunable White

Due to the technological evolution of the electronic components, the data provided may be updated, and as such, confirmation must be requested during the order process.

Luminous flux and power supply have +/-10% tolerances with respect to the indicated value. tq +25°C (CIE 121).

We reserve the right to make technical changes.

Targetti Sankey S.r.l.
Via Pratese, 164
50145 Firenze - Italy
Tel: +39 055 37911
targetti.com
targetti@targetti.com

CCIAA Firenze
Share Capital:
€ 500.000,00
VAT N. (IT):
01537660480
R.E.A.: FI-275656

TARGETTI